

HTP GENERAL DATA SHEET

page 1 / 2

Applicable Standards

Interface according to USCAR 777-X-0XX-X-Z01

Electrical characteristics according to OPEN ALLIANCE

Characteristic Impedance	100	Ω
Frequency range	up to 20	GHz
Data rate	up to 56	Gbit/s
Return loss (typical)*	≥ 30 dB @ DC to 1 GHz	
	≥ 30 dB @ 1 GHz to 3 GHz	
	≥ 20 dB @ 3 GHz to 6 GHz	
	≥ 18 dB @ 6 GHz to 9 GHz	
Insertion loss (typical)	$\leq 0,25$ dB @ DC to 1 GHz	
	$\leq 0,35$ dB @ 1 GHz to 3 GHz	
	$\leq 0,5$ dB @ 3 GHz to 6 GHz	
	$\leq 0,85$ dB @ 6 GHz to 9 GHz	
Screening Attenuation	≥ 55 dB @ DC to 3 GHz	
	≥ 50 dB @ 3 GHz to 6 GHz	
	≥ 40 dB @ 6 GHz to 9 GHz	
Insulation resistance	~ 1	G Ω
Center contact resistance	≤ 15	m Ω
Outer contact resistance	$\leq 7,5$	m Ω
Test voltage	500	V rms
Working voltage	60	V max.

Mechanical characteristics

Mating cycles	≥ 25	
Mating force	max. 30	N
Unmating force	max. 25	N
Retention force lockes system	min.120	N

Materials

Plastic Housing	PPA / PA-GF 30
Outer contact	Diecast
Center contact	Brass / Bronze
Insulator	LCP

Standard plating

Outer contact	Sn
Center contact	Au
Other parts	Sn

Environmental influences

Temperature range	-40°C up to +105°C
Mechanical shock	IEC 60068-2-27
Vibration	IEC 60068-02-64 Severity 1
Thermal change	IEC 60068-2-14
Damp heat, cyclic	IEC 60068-2-30
Dry heat	IEC 60068-2-2
RoHS	compliant
Solder profile	according to JEDEC 020 (260°C)

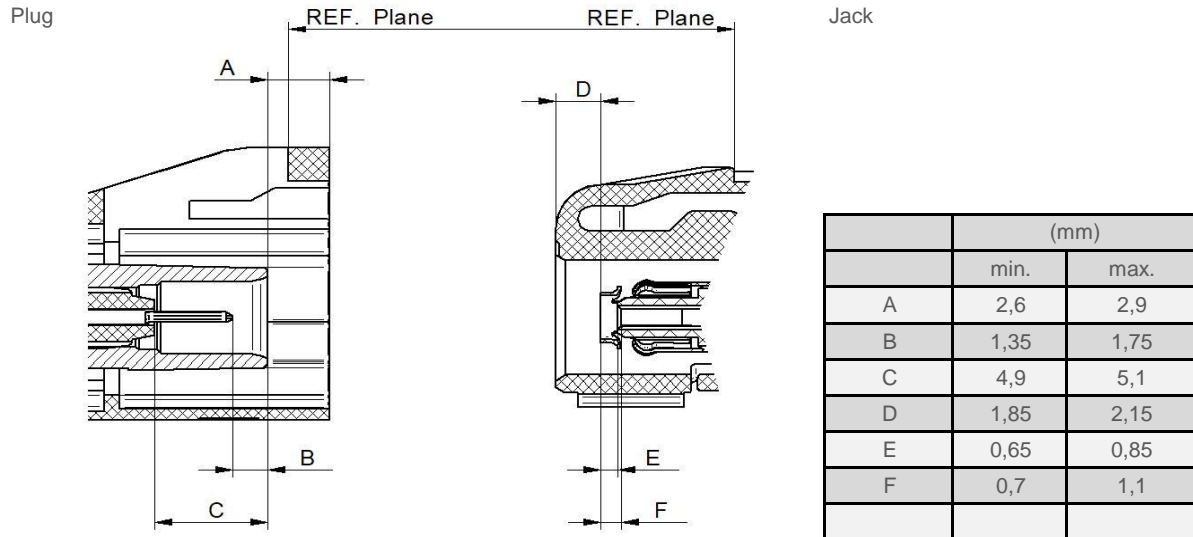
Date/Generated: 13.04.2022 / I.Fasold

Revision: d

Date/Approved: 14.04.2022 / P.Schuh

HTP GENERAL DATA SHEET

Interface dimensions



Coding Types

Mechanical characteristics

Coding Type	Plug	Color	Similar to RAL
A		jet black	9005
B		pure white	9010
C		light blue	5012
D		claret violet	4004
E		may green	6017
F		nut brown	8011
Z		waterblue	5021

Coding Type	Jack	Color	Similar to RAL
A		jet black	9005
B		pure white	9010
C		light blue	5012
D		claret violet	4004
E		may green	6017
F		nut brown	8011
Z		waterblue	5021

Notes

* Connector performance strongly depends on PCB type and layout.

All details are typical values and may vary in individual cases. Please refer to detail specification.

While the information has been carefully compiled to the best of our knowledge, nothing is intended as representation or warranty on our part and no statement herein shall be construed as recommendation to infringe existing patents. In the effort to improve our products, we reserve the right to make changes judged to be necessary.

Date/Genera 13.04.2022 / I.Fasold

Revision: d

Approved: 14.04.2022 / P.Schuh